



CARMET TUG COMPANY
Canal Road, Eastham Locks,
Wirral CH62 0BB

www.carmettugs.co.uk

tugs@carmet.co.uk

+44 (0)151 327 8018



Vessel type: Easyworker 2080
Built: Groeneveldt Marine Construction B.V. 2022
Classification: RINA, MCA Workboat Code Cat 2/60

Dimensions

Length: 20.08 meters
Beam: 8.00 meters
Draft: 1.60 meters
Gross tonnage: 70.60

Performance

Bollard pull: 15.0 tons
Speed: 9.0 knots

Propulsion

Main engines: 2 x Volvo Penta D 16 MH IMO 3
Total power: 1200 bhp
Gearboxes: Twin Disc MGX 516 DC
Propellers: 2 x 4 blade fixed pitch in nozzles @ 1350 mm

Auxiliary

Generator sets: 1 x John Deere 135kVA
1 x John Deere 65kVA

Electrical system: 24v DC and 220/415V connections

Tank Capacities

Fuel: 16,000 litres
Water: 7,000 litres

Deck Layout

Deck crane: Fassi F800 RA (15,770kg @ 4.25m)
Deck winch: 18t SWL 8m/min
Tugger winch: 5t SWL, 9m/min
Deck capacity: 60 tonnes

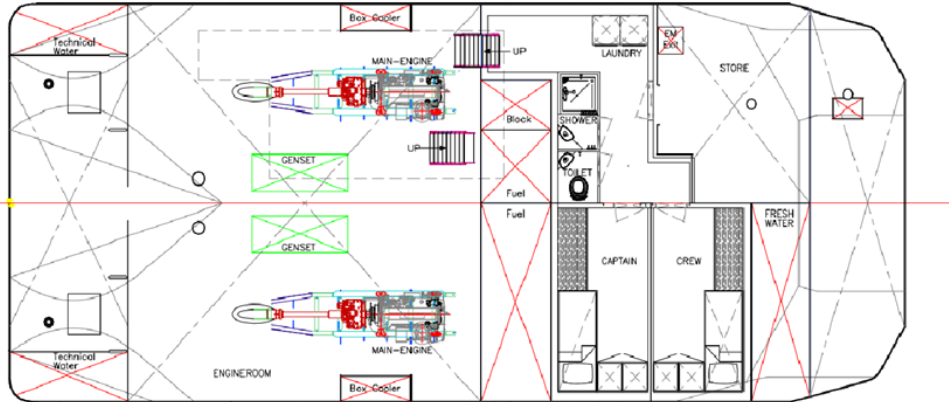
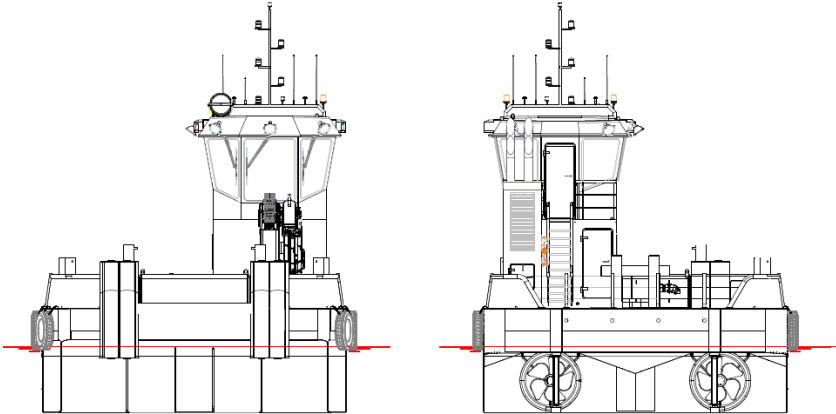
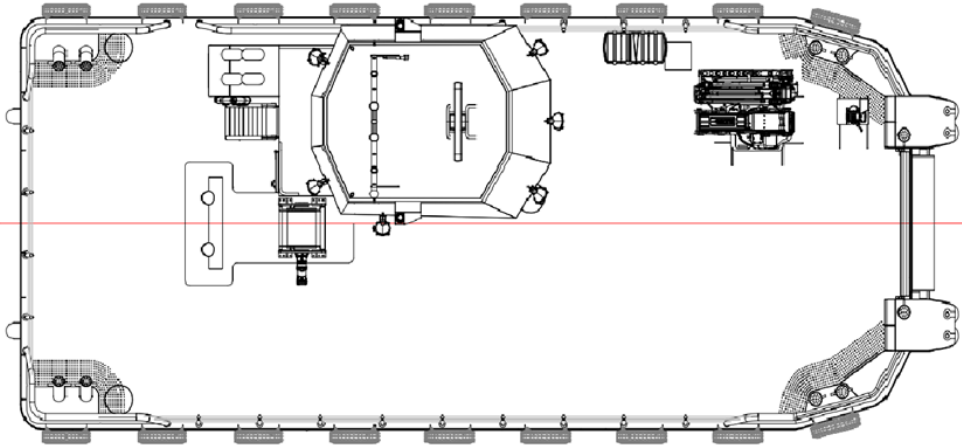
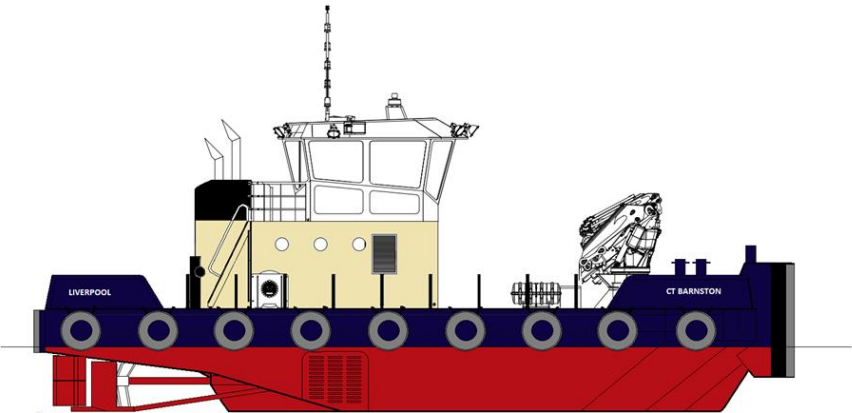
Accommodation

Air-conditioned wheelhouse, air-conditioned galley/day room at deck level. 2 x 2 person cabins below deck with a large workshop / stores.

Navigation

Sailor RT5022 VHF DSC, Furuno NX-700 Navtex, Transas 3000 ECDIS, Furuno FA-150 AIS, Furuno GP-150 GPS, Furuno SC-502 Satellite compass, Furuno FCV-585

General Arrangement



Crane Specifications

